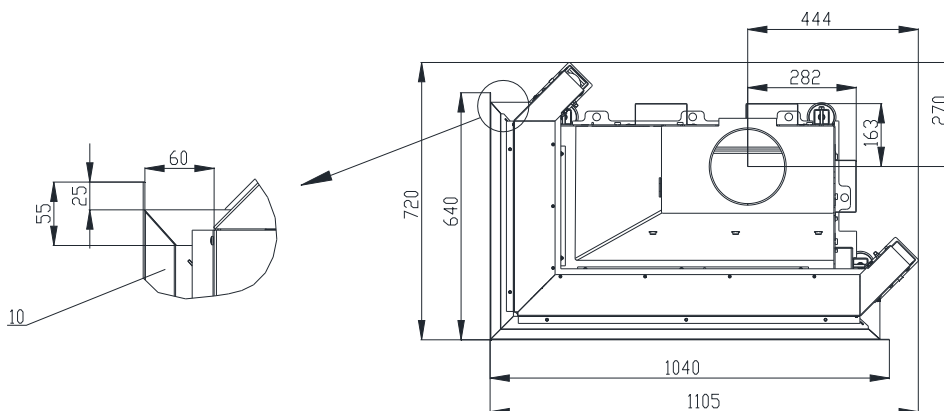
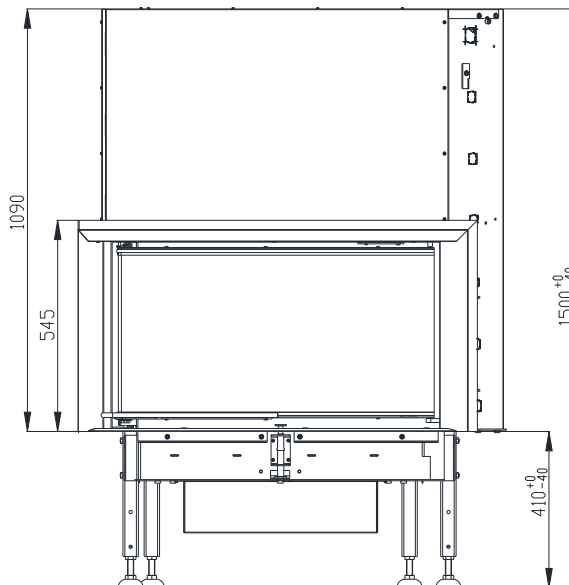
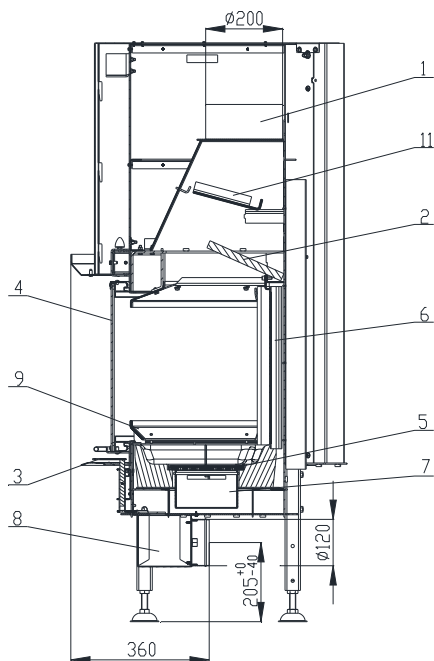


# FIREPLACE INSERT TREND V 10 CL IN ACCORDANCE WITH EN 13 229

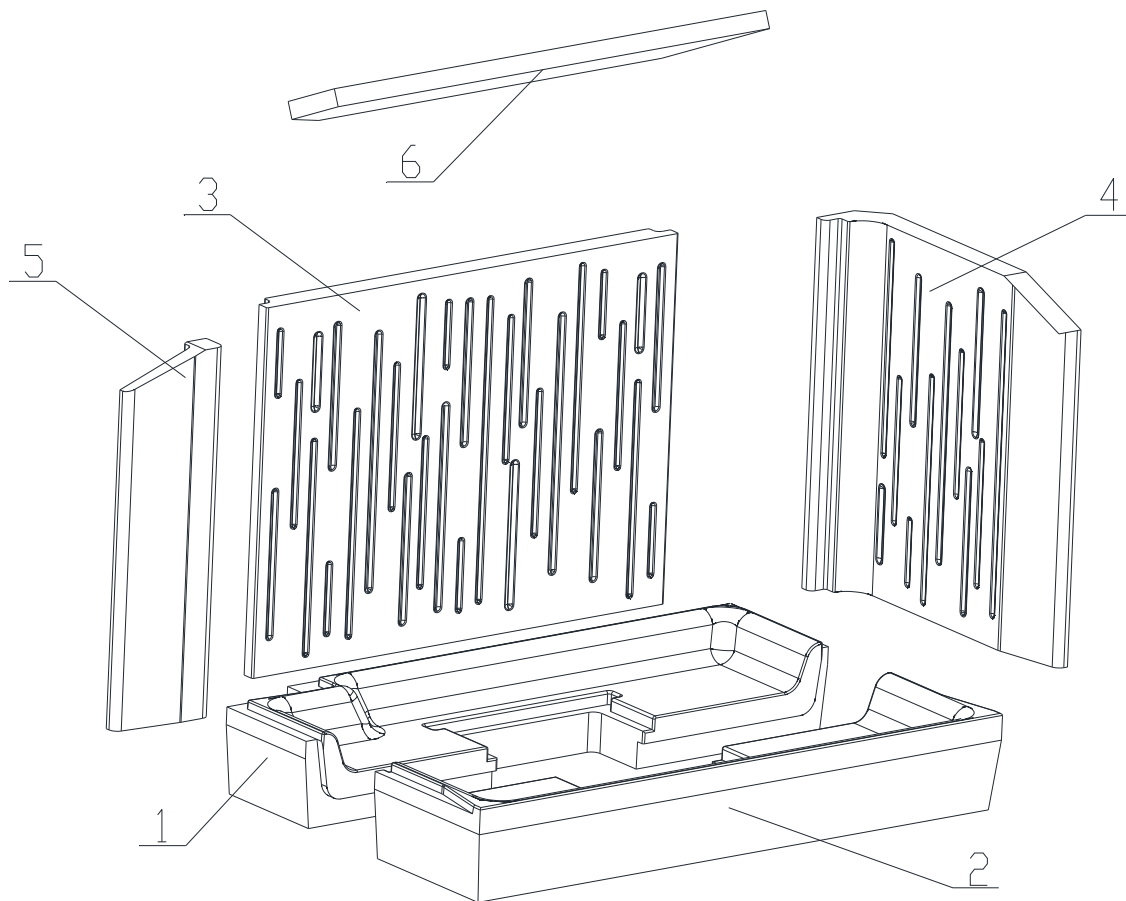


- |  |  |
|--|--|
| <ul style="list-style-type: none"> <li>1. Smoke flue bellmouth</li> <li>2. Deflector (Vermiculite)</li> <li>3. Combustion air regulation</li> <li>4. Glass</li> <li>5. Grate</li> <li>6. Refractory concrete (Carcon)</li> </ul> | <ul style="list-style-type: none"> <li>7. Ash tray</li> <li>8. External air input</li> <li>9. Barrier</li> <li>10. Frame</li> <li>11. Deflector (Steel)</li> </ul> |
|--|--|

### Technical data:

Nominal heat output	kW	13,5
Efficiency	%	84
Volume flow of combustion products	g/s	10,2
Flue gas temperature	°C	302,3
Min. feed pressure at nominal heat output	Pa	12
Fuel		wood (beech logs)
Fuel consumption per hour	kg/h	3,6
CO emission in burnt gas (in relation to 13% O <sub>2</sub> ) %		0,0877
Smoke flue diameter	mm	200
Weight	kg	265

## Set of carcon firebox:



1. Back bottom
2. Front bottom
3. Back

4. Side face
5. Cover
6. Bottom deflector

BeF Home, s.r.o. Kotvrdovice 277 679 07 Kotvrdovice IČO: 25524682	<b>BÊF</b> home	CE	12
Type: <b>TREND V10</b> Version: <b>V10, V10CL, V10CP</b> Test number: <b>30-11496</b> Notified person: <b>1015</b> <b>EN 13229</b> Heat output: <b>13,5 kW capacity for heating</b> Efficiency: <b>84%</b> CO emission in burnt gas (in relation to 13% O <sub>2</sub> ): <b>0,0877%</b> Burnt gas temperature: <b>302,3°C</b> Distance from adjacent combustible materials: <b>8cm + 10cm</b> <b>thermal insulation</b> Fuel: <b>wood (beech logs)</b> <b>Wood burning fireplace insert for room heating</b>			
<b>Peruse and keep service instructions!</b> <b>Appliance with short-term combustion process!</b>			

For details see Installation and Service Instructions