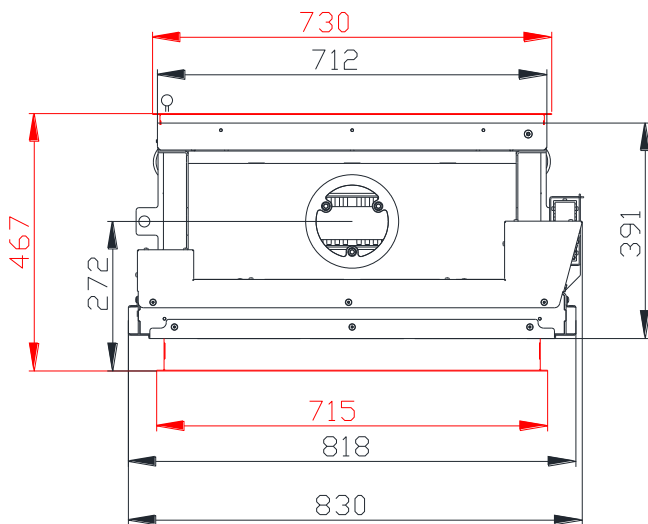
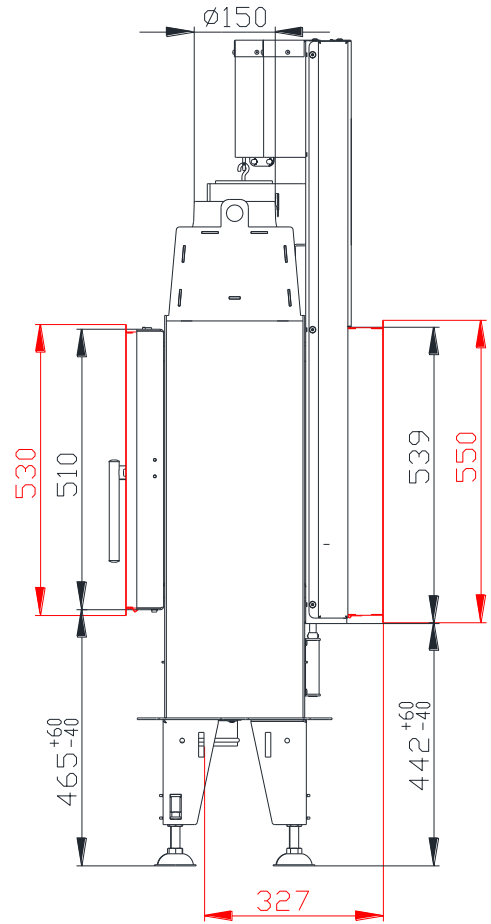
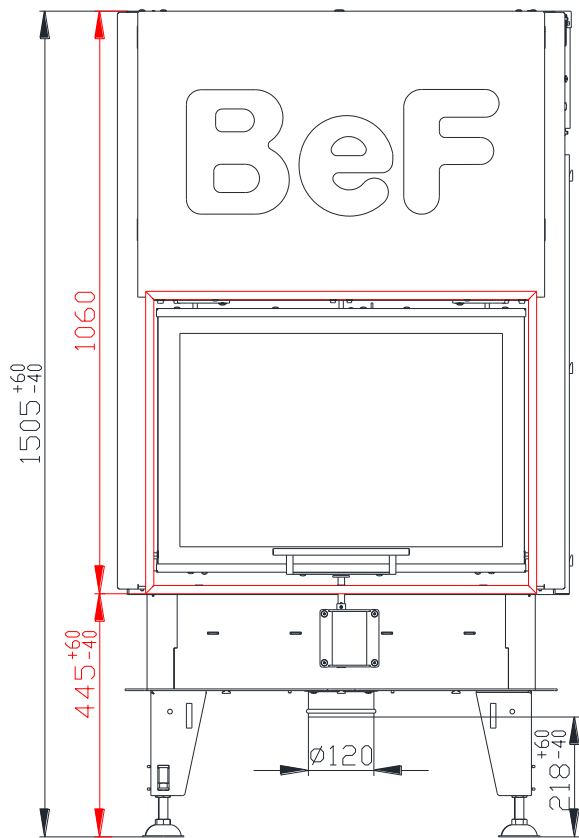


FIREPLACE INSERT BEF FLAT V 7 TWIN IN ACCORDANCE WITH EN 13 229

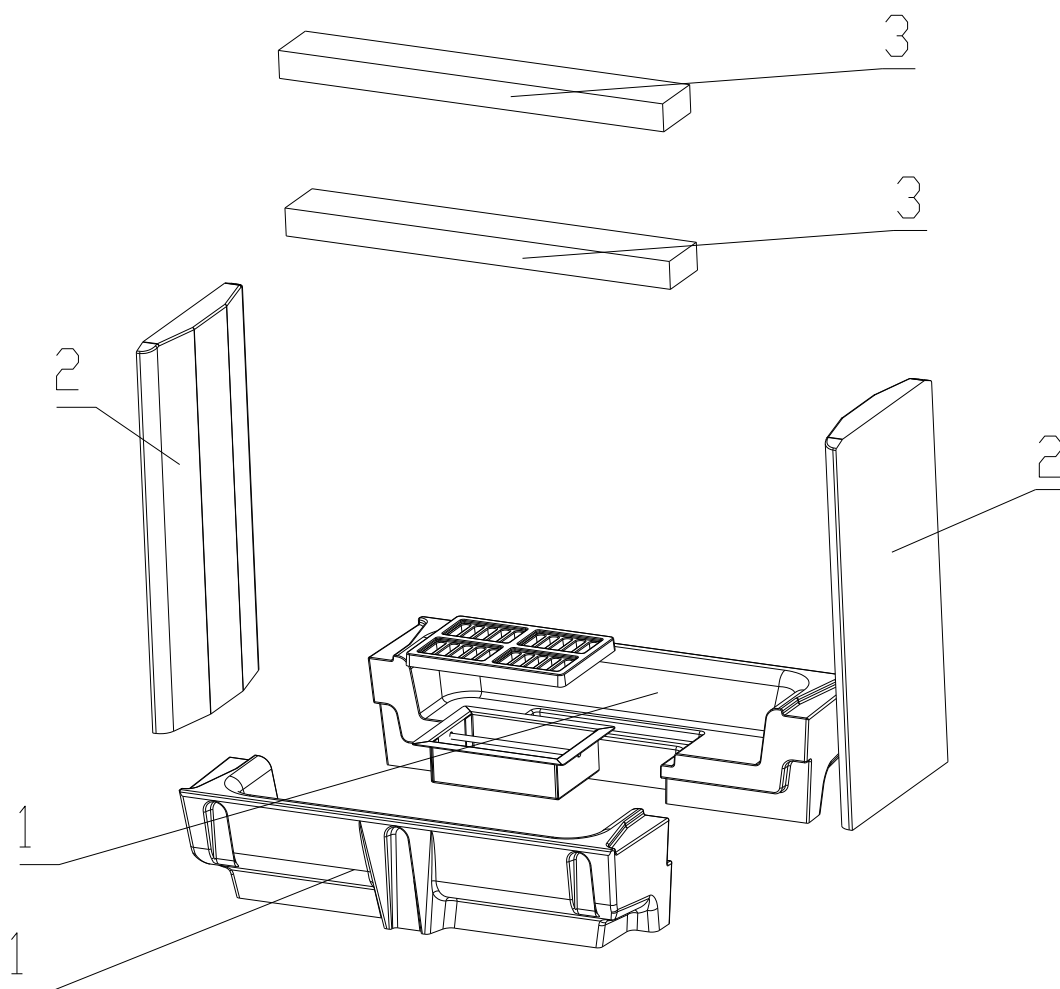


FIREPLACE INSERT BEF FLAT V 7 TWIN **IN ACCORDANCE WITH EN 13 229**

Technical data:

Nominal heat output	kW	7
Efficiency	%	82,2
Volume flow of combustion products	g/s	6,5
Flue-gas temperature	°C	232
Min. feed pressure at nominal heat output	Pa	12
Fuel		wood (beech logs)
Fuel consumption per hour	kg/h	2,45
CO emission in burnt gas (in relation to 13% O ₂) %		0,0811
Dust in flue-gas (in relation to 13% O ₂)	mg/Nm ³	18
Smoke flue diameter	mm	150
Weight	kg	177

Set of carcon firebox:



List of spare parts:

- 1. Bottom**
- 2. Side piece**
- 3. Deflector**
- 4. Cast iron grate**
- 5. Ashtray**

For details see Installation and Service Instructions.