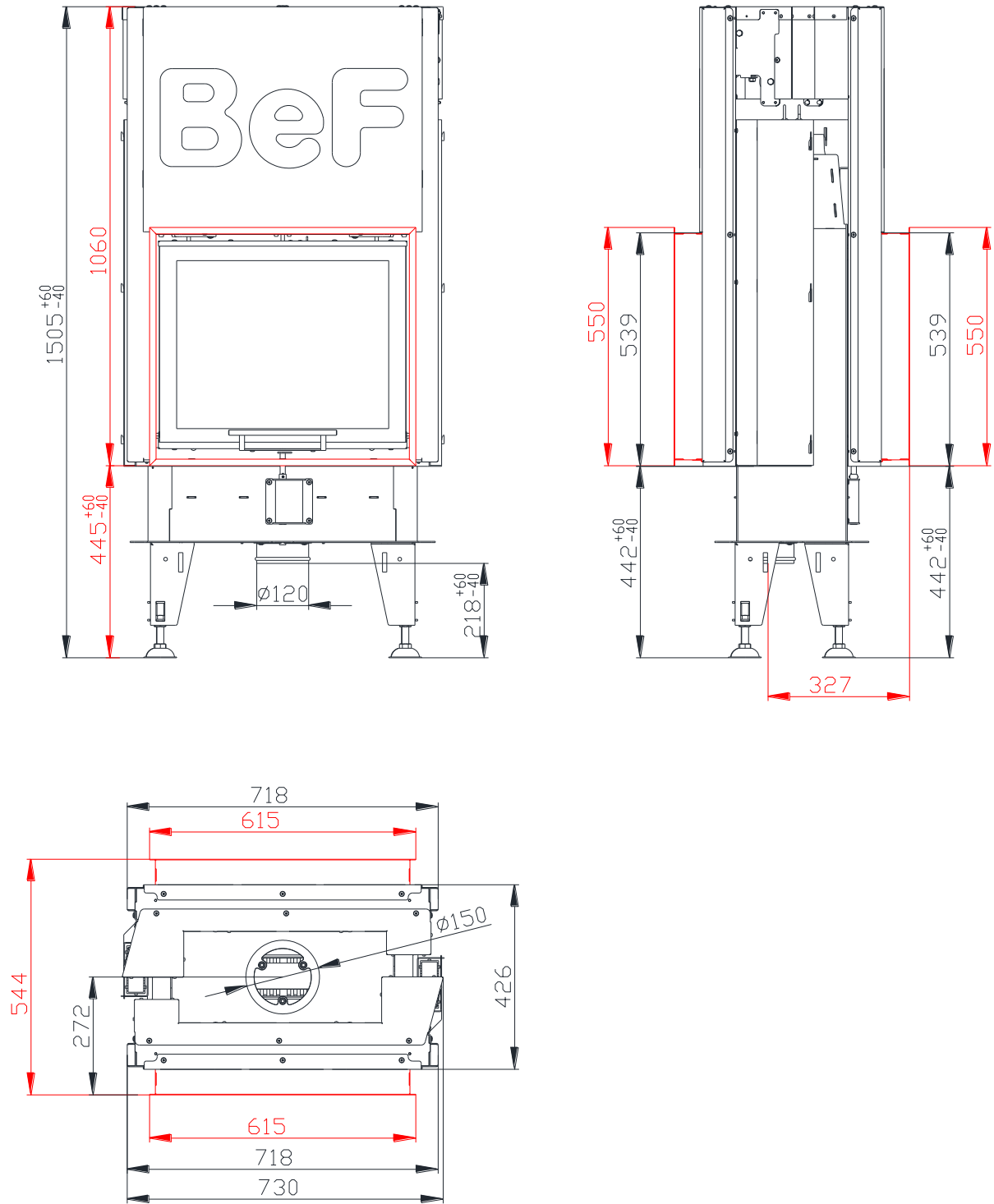


FIREPLACE INSERT BEF FLAT VV 6 TWIN IN ACCORDANCE WITH EN 13 229

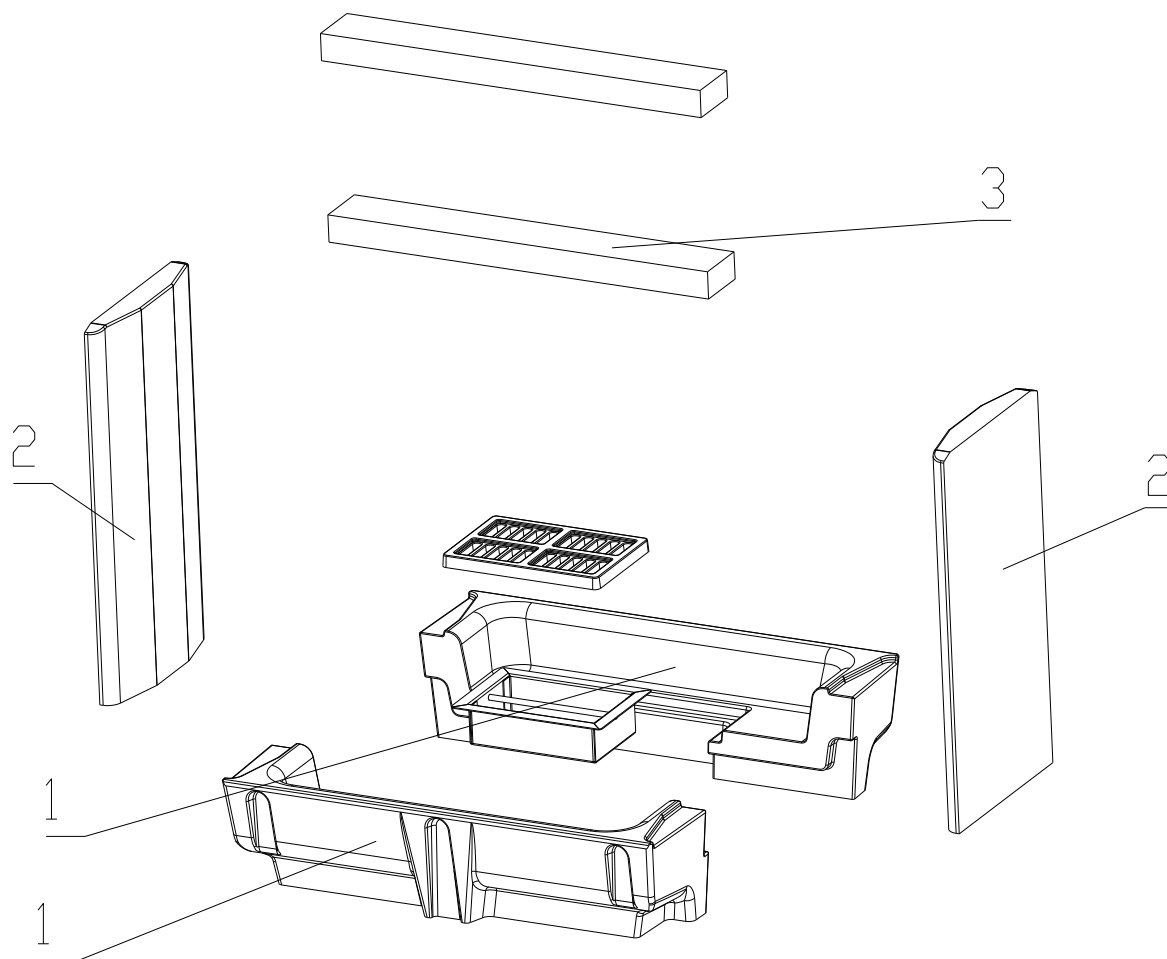


FIREPLACE INSERT BEF FLAT VV 6 TWIN IN ACCORDANCE WITH EN 13 229

Technical data:

Nominal heat output	kW	5
Efficiency	%	84
Volume flow of combustion products	g/s	4,3
Flue-gas temperature	°C	206
Min. feed pressure at nominal heat output	Pa	12
Fuel		wood (beech logs)
Fuel consumption per hour	kg/h	1,53
CO emission in burnt gas (in relation to 13% O ₂)	%	0,0946
Dust in flue-gas (in relation to 13% O ₂)	mg/Nm ³	17
Smoke flue diameter	mm	150
Weight	kg	

Set of carcon firebox:



List of spare parts:

1. Bottom
2. Side piece
3. Deflector
4. Cast iron grate
5. Ashtray

For details see Installation and Service Instructions.