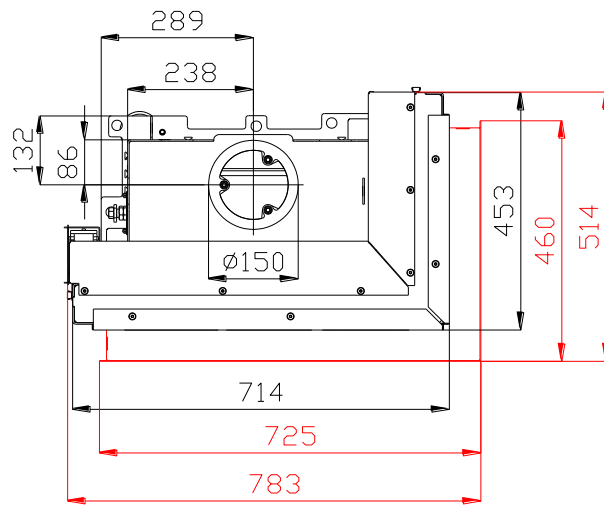
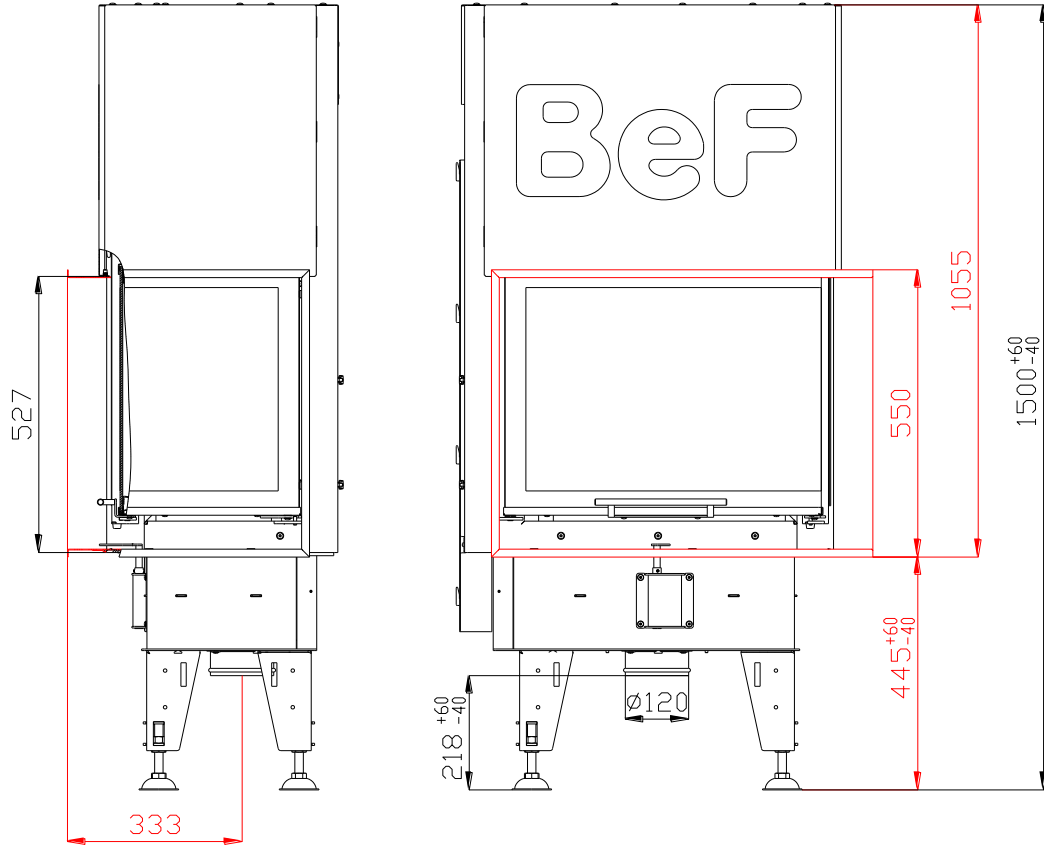


FIREPLACE INSERT BEF FLAT V 7 CP IN ACCORDANCE WITH EN 13 229

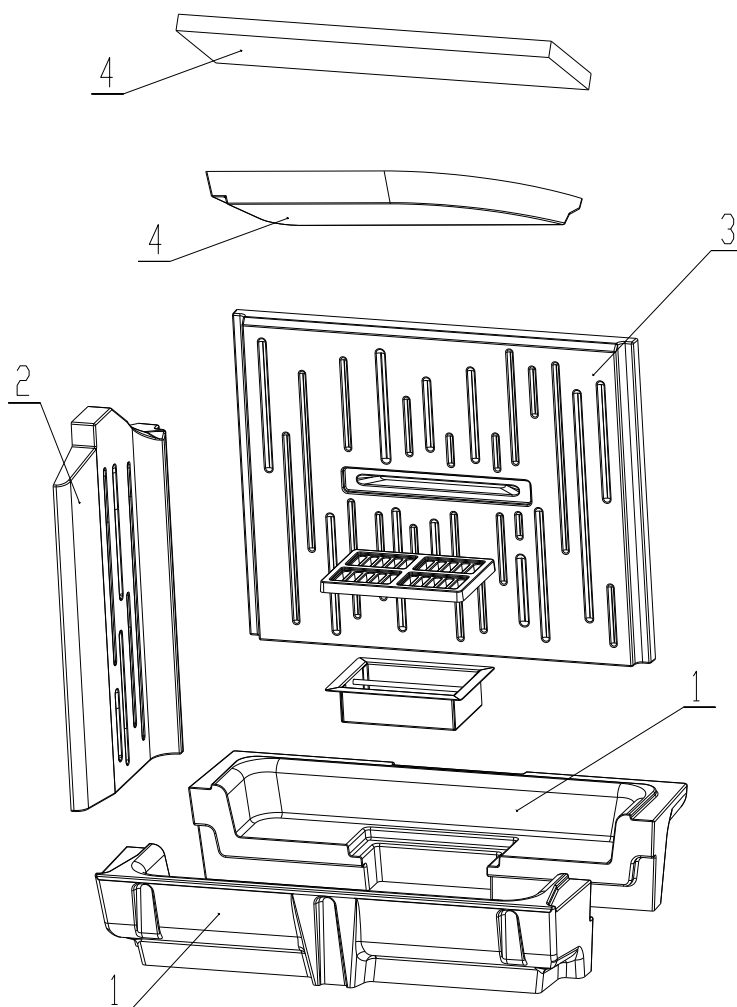


FIREPLACE INSERT BEF FLAT V 7 CP IN ACCORDANCE WITH EN 13 229

Technical data:

Nominal heat output	kW	7
Efficiency	%	82,2
Volume flow of combustion products	g/s	6,5
Flue-gas temperature	°C	232
Min. feed pressure at nominal heat output	Pa	12
Fuel		wood (beech logs)
Fuel consumption per hour	kg/h	2,45
CO emission in burnt gas (in relation to 13% O ₂)	%	0,0811
Dust in flue-gas (in relation to 13% O ₂)	mg/Nm ³	18
Smoke flue diameter	mm	150
Weight	kg	178

Set of carcon firebox:



List of spare parts:

1. Bottom
2. Side piece
3. Back
4. Deflector
5. Cast iron grate
6. Ashtray

For details see Installation and Service Instructions.