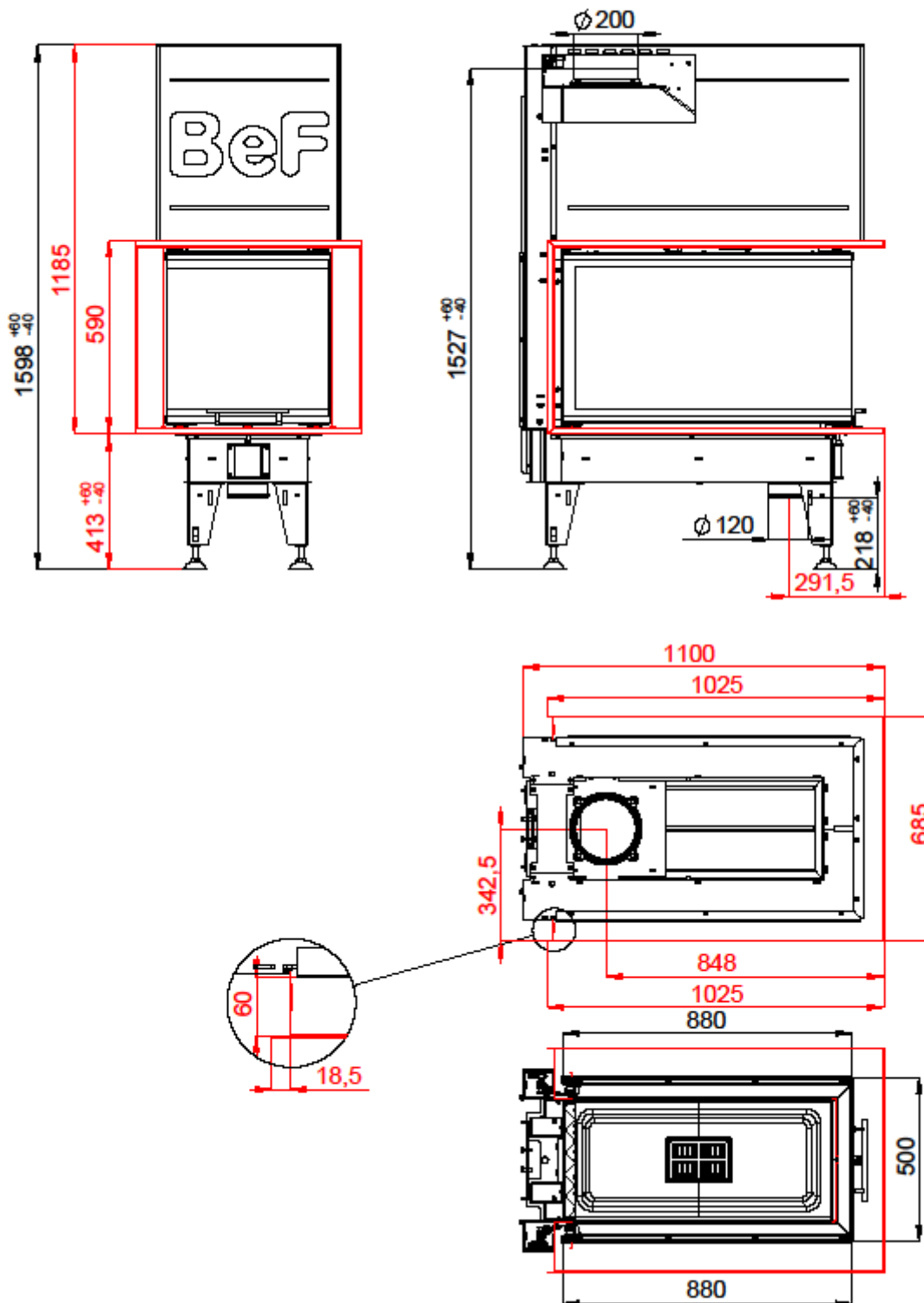


# FIREPLACE INSERT BEF TREND V 8 U IN ACCORDANCE WITH EN 13 229

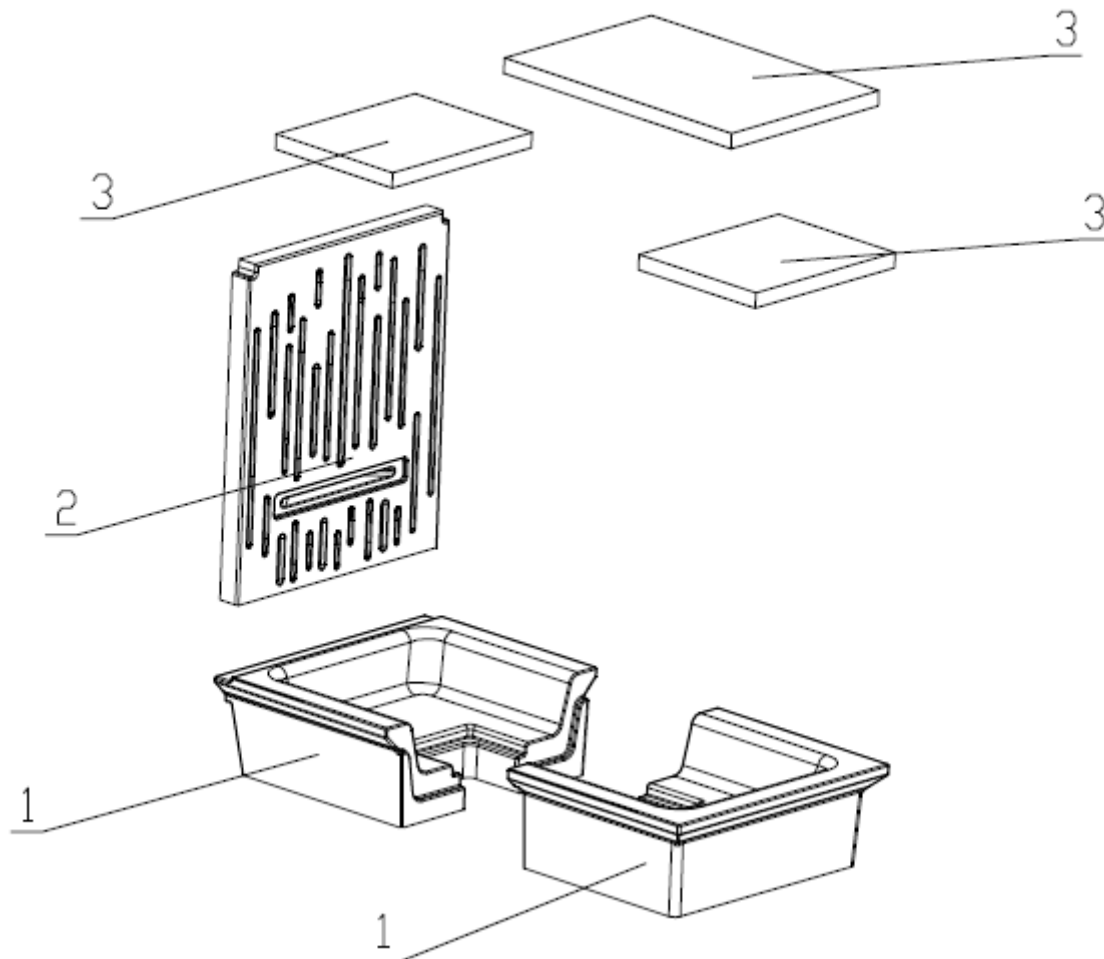


# **FIREPLACE INSERT BEF TREND V 8 U** **IN ACCORDANCE WITH EN 13 229**

## **Technical data:**

Nominal heat output	kW	8
Efficiency	%	83,9
Volume flow of combustion products	g/s	6
Flue-gas temperature	°C	257
Min. feed pressure at nominal heat output	Pa	12
Fuel		wood (beech logs)
Fuel consumption per hour	kg/h	2,7
CO emission in burnt gas (in relation to 13% O <sub>2</sub> )	%	0,087
Dust in flue-gas (in relation to 13% O <sub>2</sub> )	mg/Nm <sup>3</sup>	18
Smoke flue diameter	mm	200
Weight	kg	

## **Set of carcon firebox:**



- 1. BOTTOM**
- 2. BACK**
- 3. DEFLECTOR**

For details see Installation and Service Instructions.