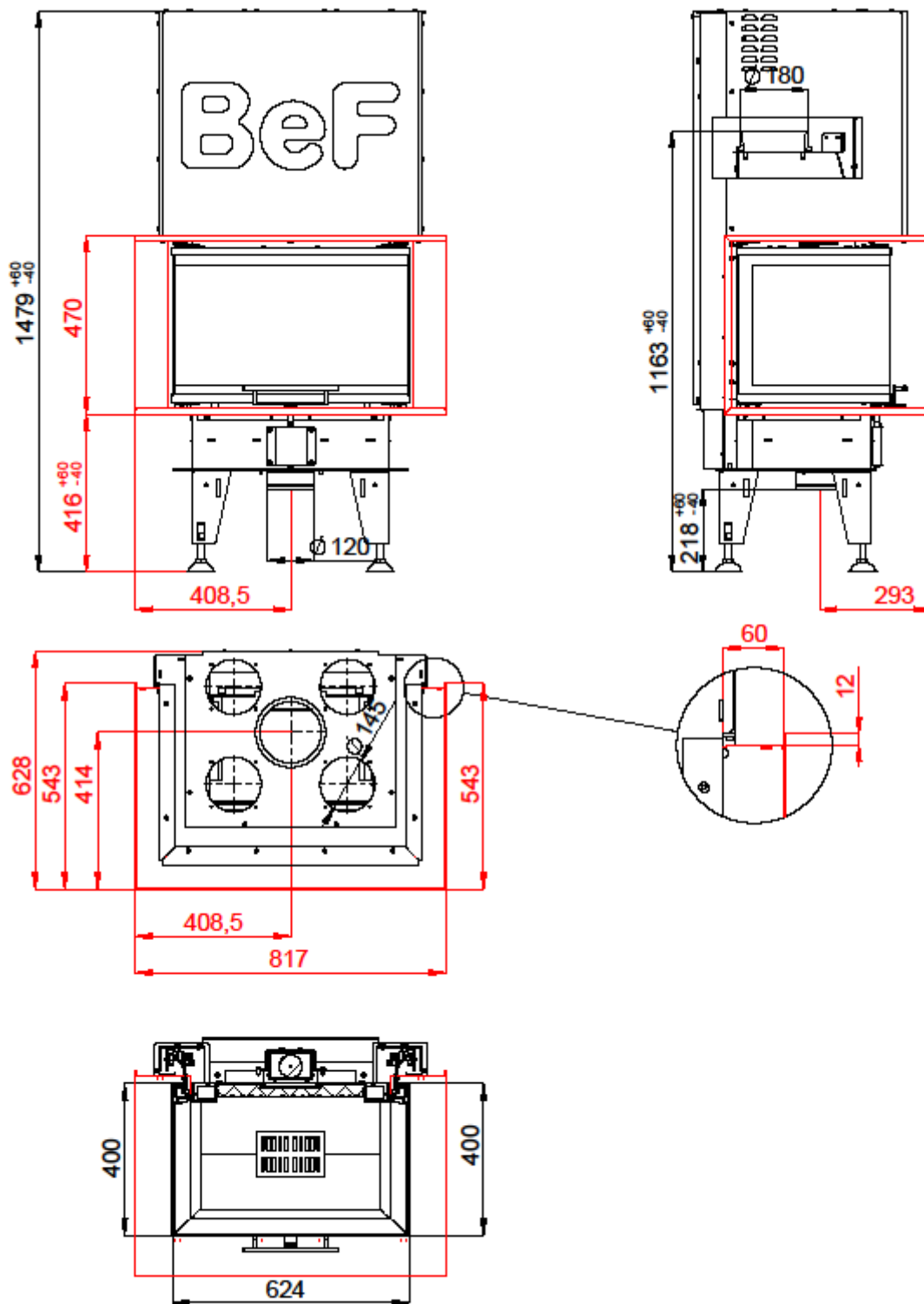


FIREPLACE INSERT BEF TREND V 6 C IN ACCORDANCE WITH EN 13 229

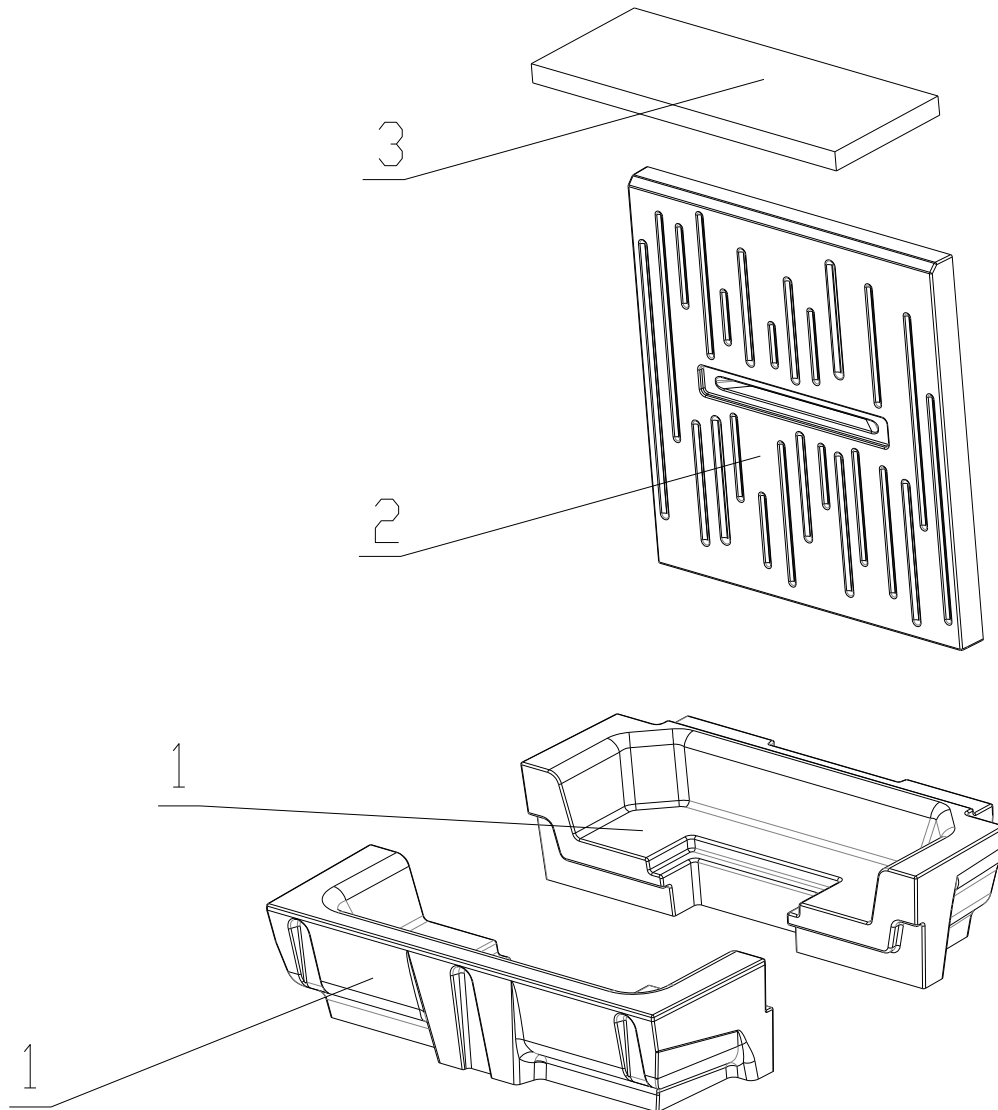


FIREPLACE INSERT BEF TREND V 6 C IN ACCORDANCE WITH EN 13 229

Technical data:

Nominal heat output	kW	6
Efficiency	%	82
Volume flow of combustion products	g/s	4,6
Flue-gas temperature	°C	262
Min. feed pressure at nominal heat output	Pa	12
Fuel		wood (beech logs)
Fuel consumption per hour	kg/h	1,85
CO emission in burnt gas (in relation to 13% O ₂)	%	0,0873
Dust in flue-gas (in relation to 13% O ₂)	mg/Nm ³	19
Smoke flue diameter	mm	180
Weight	kg	206

Set of carcon firebox:



1. **BOTTOM**
2. **BACK**
3. **DEFLECTOR**

For details see Installation and Service Instructions.